

Severe Service



100MM SEVERE SERVICE GAUGE

- Brass or Stainless Steel Internals
- Ranges to 10,000 psi
- Glycerine Filled

Marsh Instruments Liquid Filled Gauges are designed to perform in rugged applications and harsh environmental conditions - especially where pulsation and vibration are a problem. Liquid Filled Gauges offer a significant cushioning and dampening effect, reducing pointer flutter and internal gauge damage; also lubricating the internals, and reducing corrosion. All stainless steel Liquid Filled Gauges feature a ventable top fill plug for pressure relief and ease of venting after installation. The hermetically sealed construction reduces the chance of leaks, and makes field filling an easy option.

Typical applications include refineries, chemical plants, offshore platforms, oil rigs, marine applications, general industrial application and OEM processes.

STANDARD RANGES & PART NUMBERS

TYPE	100MM SEVERE SERVICE GAUGES					
Size	100mm			100mm		
Case Material	Stainless Steel			Stainless Steel		
Internals	Copper Alloy			Stainless Steel		
Mounting / Case Style	LM	CB	UC	LM	CB	UC
Connections (NPT)	¼ NPT	¼ NPT	¼ NPT	¼ NPT	¼ NPT	¼ NPT
Scale Standard	psi/kPa			psi/kPa		
0 to 30" Hg VAC	X32965P			X32967P		
30" Hg VAC to 30 psi	X32501P					
30" Hg VAC to 60 psi	X32502P					
30" Hg VAC to 100 psi						
30" Hg VAC to 150 psi	X32887P	X32901P	X32894P	X32929P	X32941P	X32935P
30" Hg VAC to 200 psi	X32888P	X32902P	X32895P	X32930P	X32942P	X32936P
30" Hg VAC to 300 psi	X32889P	X32903P	X32896P	X32931P	X32943P	X32937P
0 to 15 psi	X32504P	X32546P	X32525P	X32630P	X32678P	X32654P
0 to 30 psi	X32505P	X32547P	X32526P	X32631P	X32679P	X32655P
0 to 60 psi	X32506P	X32548P	X32527P	X32632P	X32680P	X32656P
0 to 100 psi	X32507P	X32549P	X32528P	X32633P	X32681P	X32657P
0 to 160 psi	X32508P	X32550P	X32529P	X32634P	X32682P	X32658P
0 to 200 psi	X32509P	X32551P	X32530P	X32635P	X32683P	X32659P
0 to 300 psi	X32510P	X32552P	X32531P	X32636P	X32684P	X32660P
0 to 400 psi	X32511P	X32553P	X32532P	X32637P	X32685P	X32661P
0 to 600 psi	X32512P	X32554P	X32533P	X32638P	X32686P	X32662P
0 to 1,000 psi	X32513P	X32555P	X32534P	X32639P	X32687P	X32663P
0 to 1,500 psi	X32514P	X32556P	X32535P			
0 to 2,000 psi	X32515P	X32557P	X32536P	X32641P	X32689P	X32665P
0 to 3,000 psi	X32516P	X32558P	X32537P	X32642P	X32690P	X32666P
0 to 5,000 psi	X32518P	X32560P	X32539P	X32644P	X32692P	X32668P
0 to 6,000 psi	X32519P	X32561P	X32540P	X32645P	X32693P	X32669P
0 to 10,000 psi				X32647P	X32695P	X32671P

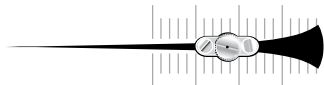
NOTE: Items are available on special order. However, minimums and lead times apply. Consult factory.

SPECIFICATIONS

- ACCURACY**
ASME Grade A - ±2 1/2% (±1% of range across middle half of scale)
- CASE SIZES**
100mm (3.89") diameter
- CASE MATERIAL**
304 Stainless Steel
- CASE STYLE**
Rolled ring, hermetically sealed case
CB - Center Back Mount
LM - Lower Mount
UC - U-Clamp Mount
- TUBE & SOCKET**
Copper alloy or 316 stainless steel
- MOVEMENT**
Brass
- CONNECTION**
¼ NPT
- RANGES**
0 to 30" Hg VAC
Compound 30" Hg VAC to 300 psi
15 to 10,000 psi
- DIAL STANDARD**
Dual scale psi & kPa
- DIAL COLOR**
Black markings on white
- POINTER**
Aluminum, black painted
- WINDOW**
Polycarbonate
- FILL MEDIUM**
Glycerine Standard
- RESTRICTOR**
Standard for all ranges
- VENT PLUG**
Rubber plug with snip-off feature
- WEIGHT**
Filled 1.0 lb.
Dry 0.8 lb.

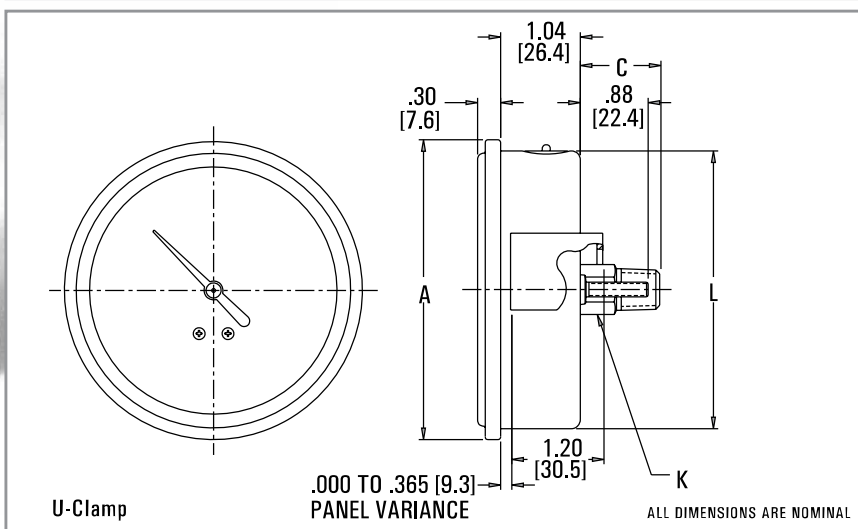
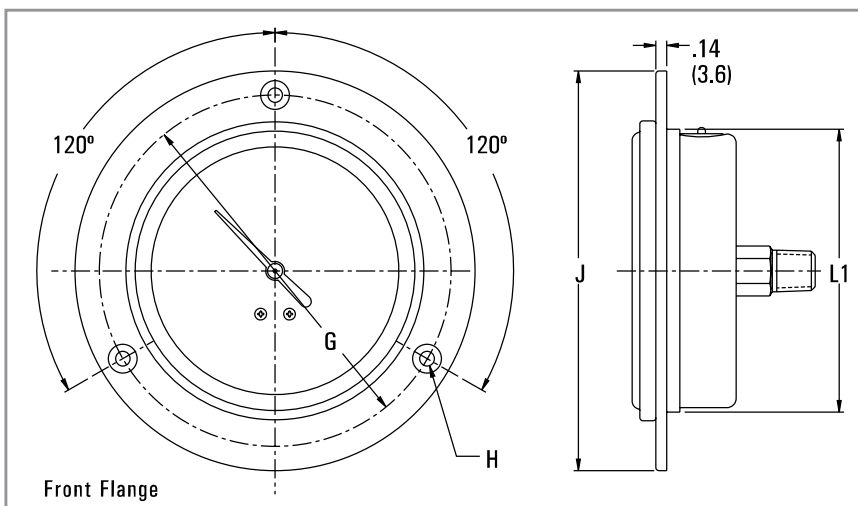


Severe Service



100MM SEVERE SERVICE GAUGE OPTIONS

OPTION	TYPE	SUFFIX	AVAILABLE ON MODELS
Fill Medium	Dry (no fill)	Delete suffix P	All models
	Silicone (SL)	I	All models
Front Flange	Adapter Ring (3 hole)	R	U-Clamp & Center Back only (factory installed)
Catalog Dials	psi only	E	See Marsh Price List for minimum
	bar only	L1	
	kg/cm ²	L2	
	kPa only	L3	
	MPa	L4	
	psi & bar	W1	
	psi & kg/cm ²	W2	
psi & MPa	W4		
Custom Dials	Logo or custom face	M	Consult factory for colors and minimums.
Restrictor	Special restrictor	H	All models - See Marsh Price List for minimum
	Restrictor removed	H1	All models - See Marsh Price List for minimum
Special Connections			Consult factory for Availability



Gauge Size	Conn- ection	A	C	G	H	K	J	L	L1
100mm	1/4"	3.90"	1.03"	4.57"	0.19"	9/16"	5.20"	3.62"	3.68"
		99mm	26mm	116mm	5mm	14mm	132mm	92mm	94mm

